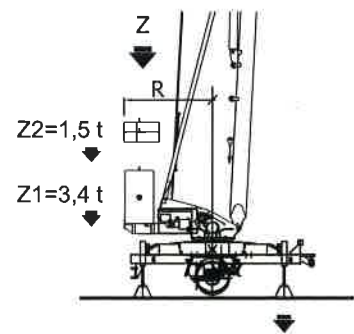


R=2,20 m



Fmax 7620 daN

Dati tecnici Technical data	400 V Trifase 6 kW			230 V Monofase 4,5 kW			230 V Monofase 3 kW				
	m/min	Kg	kW	m/min	Kg	kW	m/min	Kg	kW		
Sollevamento Hoisting ▲ ● ▼	▲ 5 ▼ 5	1600		▲ 5 ▼ 5	1600		▲ 5 ▼ 5	1600		Montaggio idraulico Hydraulic erection	kW 1,3
	2nd SPEED POWER			2nd SPEED POWER			2nd SPEED POWER				
	▲ 19 ▼ 19	1600	5,2	▲ 14 ▼ 19	1600	3,7	▲ 9 ▼ 19	1600	2,5	Dati elettrici Electrical data 50 Hz	230 V - kW 3 230 V - kW 4,5 400 V - kW 6
	2nd SPEED HIGH			2nd SPEED HIGH			2nd SPEED HIGH				
▲ 24 ▼ 24	1100	5,2	▲ 19 ▼ 19	1100	3,7	▲ 13 ▼ 19	1100	2,5			
	▲ 36 ▼ 36	700		▲ 24 ▼ 36	700		▲ 20 ▼ 30	700			
	ELECTRONIC FINE ADJUST.			ELECTRONIC FINE ADJUST.			ELECTRONIC FINE ADJUST.				
Carrello Trolley ↔	0 ↔ 13	1600		0 ↔ 13	1600		0 ↔ 13	1600			
	0 ↔ 24	1100	1.1	0 ↔ 24	1100	1.1	0 ↔ 24	1100	1.1		
	0 ↔ 34	700		0 ↔ 34	700		0 ↔ 34	700			
	ELECTRONIC FINE ADJUST.			ELECTRONIC FINE ADJUST.			ELECTRONIC FINE ADJUST.				
Rotazione Slewing ↻	0 ↔ 0,32 rpm			0 ↔ 0,32 rpm			0 ↔ 0,32 rpm				
	0 ↔ 0,59 rpm	1.5		0 ↔ 0,59 rpm	1.5		0 ↔ 0,59 rpm	1.5			
	0 ↔ 0,88 rpm			0 ↔ 0,88 rpm			0 ↔ 0,88 rpm				
	ELECTRONIC FINE ADJUST.			ELECTRONIC FINE ADJUST.			ELECTRONIC FINE ADJUST.				

Alle technischen Angaben ohne Gewähr, Irrtümer und Änderungen vorbehalten.
All technical data is without guarantee, errors and changes are reserved.

Am Dornbusch 10
64390 Erzhausen
www.eurogru.de

Telefon: +49 (0) 6150 13440
Fax: +49 (0) 6150 7002
Email: kontakt@eurogru.de

EUROGRU[®]
BAUKRANE SEIT 1962